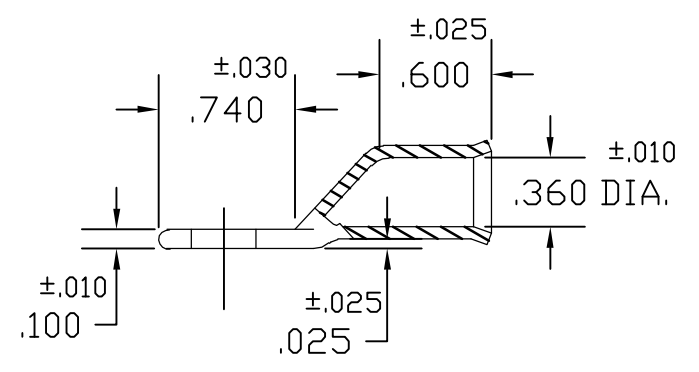
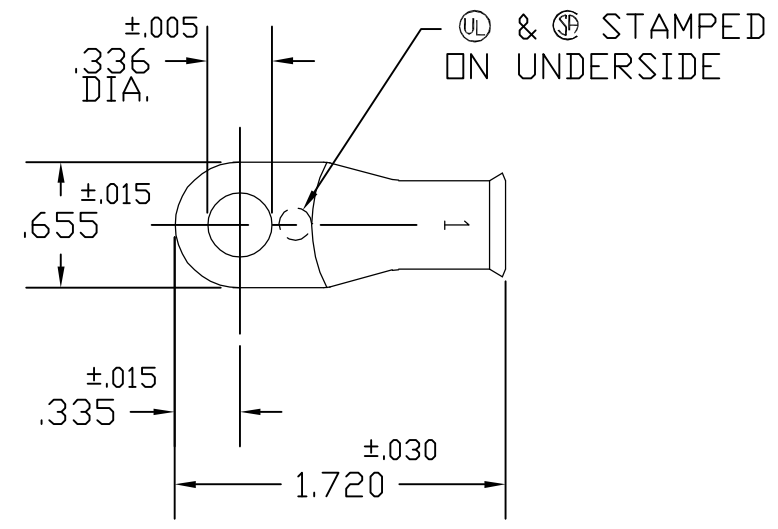


THIS DRAWING IS UNPUBLISHED. RELEASED FOR PUBLICATION
 © COPYRIGHT - BY TYCO ELECTRONICS CORPORATION. ALL RIGHTS RESERVED.

LOC	DIST	REVISIONS			
P	LTR	DESCRIPTION	DATE	DWN	APVD
G	50	A2	REVISED PER ECR-06-024472	17OCT06	JR DD

1 PRELIMINARY - NOT FOR PRODUCTION



1	PRELIMINARY	---	STANDARD	NICKEL PL.	1527451-4
	ACTIVE	1561-01	STANDARD	TIN PLATE	1527451-2
	ACTIVE	1561-00	STANDARD	PLAIN	1527451-1
	STATUS	AET P/N	PACKAGING	FINISH	PART NUMBER

THIS DRAWING IS A CONTROLLED DOCUMENT.		DWN D.A.A	9/28/00	Tyco Electronics Corporation Harrisburg, PA 17105-3608	
DIMENSIONS: INCHES		CHK H.D.F	9/28/00		
		APVD H.D.F	9/28/00	NAME 1 STANDARD TERMINAL	
TOLERANCES UNLESS OTHERWISE SPECIFIED:		PRODUCT SPEC		SIZE	
0 PLC	± -	-		CAGE CODE	DRAWING NO
1 PLC	± -	APPLICATION SPEC		RESTRICTED TO	
2 PLC	± -	-		-	
3 PLC	± -	-		-	
4 PLC	± -	-		-	
ANGLES	± -	-		-	
MATERIAL	FINISH	WEIGHT		-	
COPPER ASTM B-152	-	-		A3 00779 C-1527451	
CUSTOMER DRAWING				SCALE	1:1
				SHEET	1 OF 1
				REV	A2